

Features

- 32⁶³/₆₄" (838) x 22¹/₆₄" (559) x 9" (229) top mount kitchen sink.
- Double equal compartments.
- 16 gauge 304 stainless steel.
- Rear center drain location.
- Brushed finish with highlight rim.
- Superior undercoating for added sound insulation.
- 3mm sound deadening pads on all 4 sink sides and bottom. Up to 3 times heavier than competitive models.
- Fits 36" base cabinet width.

Components

Product includes:

- Cutout Template
- Installation Hardware
- Installation Instructions

shown with Transolid T3510-PC faucet



Options

- TSGM33222 Stainless Steel Bottom Sink Grid Set
- TCBM1517D Bamboo Cutting Board
- 2210R Covered Sink Strainer
- 4010 Covered Disposer Strainer

Warranty

- Lifetime Limited Warranty

Specified Model

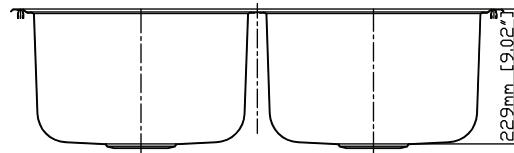
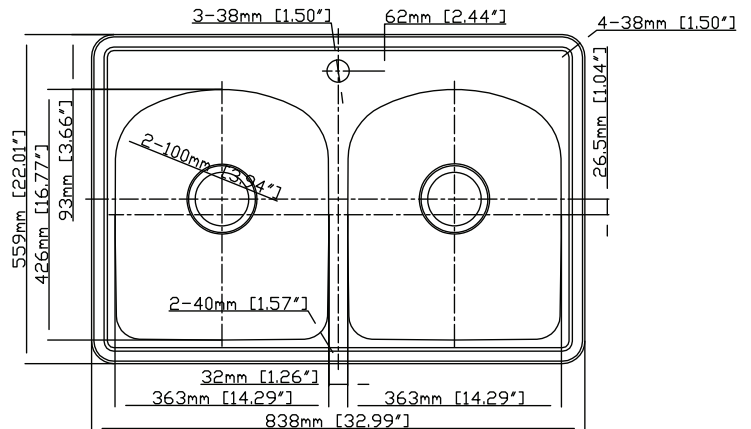
Model	MTDD33229
Overall Dimensions	L32 ⁶³ / ₆₄ " x W22 ¹ / ₆₄ " x D9" 838 x 559 x 229
Bowl Dimensions (Left)	L14 ¹⁹ / ₆₄ " x W16 ⁴⁹ / ₆₄ " x D9" 363 x 426 x 229
Bowl Dimensions (Right)	L14 ¹⁹ / ₆₄ " x W16 ⁴⁹ / ₆₄ " x D9" 363 x 426 x 229
Drain holes:	3 ⁵ / ₈ " (92mm)
Shipping Weight	37 lbs.
Material	16 gauge 304 stainless steel
Installation	counter top mounted
Required	template, included



To Be Specified:

see back for configurations available for this sink

Faucet Hole Drillings	
<input type="checkbox"/>	1 Hole
<input type="checkbox"/>	2 Holes - ML2
<input type="checkbox"/>	2 Holes - MR2
<input type="checkbox"/>	3 Holes
<input type="checkbox"/>	4 Holes
<input type="checkbox"/>	5 Holes



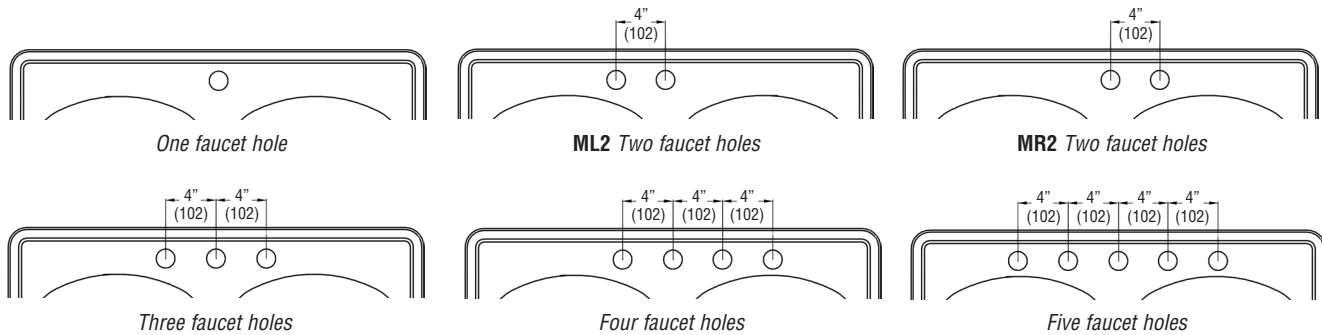
Codes/Standards

ASME A112.19.3/CSA B45.4

Notes

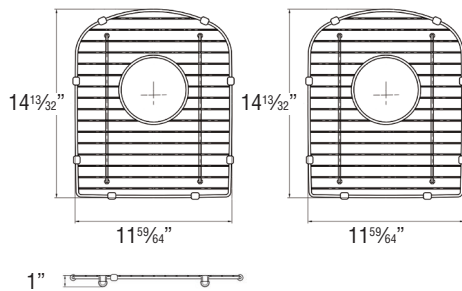
Install this product according to the installation instructions.

Faucet Hole Configurations available for this sink model

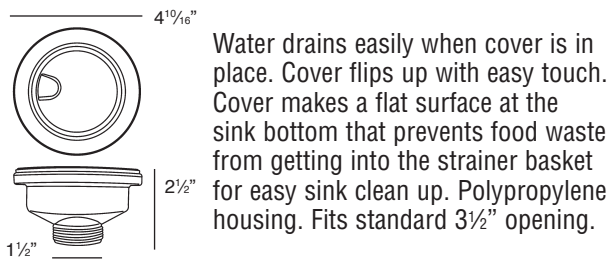


Optional Accessories

TSGM3322 Bottom Sink Grid Set

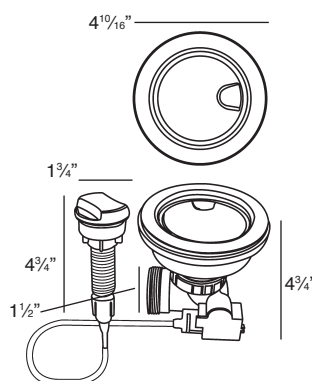


2210R Covered Flip Top Sink Strainer.



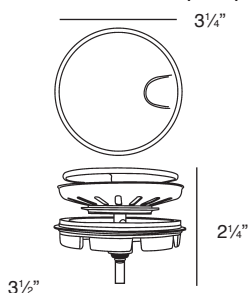
Water drains easily when cover is in place. Cover flips up with easy touch. Cover makes a flat surface at the sink bottom that prevents food waste from getting into the strainer basket for easy sink clean up. Polypropylene housing. Fits standard 3^{1/2}" opening.

2310 Remote Covered Flip Top Sink Strainer.



Turn the remote knob to open and close drain. Water drains easily when cover is in place. Cover flips up with easy touch. Cover makes a flat surface at the sink bottom that prevents food waste from getting into the strainer basket for easy sink clean up. Polypropylene housing. Fits standard 3^{1/2}" opening. 1^{3/8}" hole required in countertop for remote installation. Remote cable 25^{1/2}" L.

4010 Covered Flip Top Disposer Strainer.



Water drains easily when cover is in place. Cover flips up with easy touch. Polypropylene housing. Top mount installation for 3^{1/2}" opening.